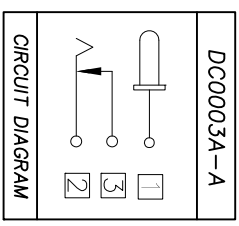
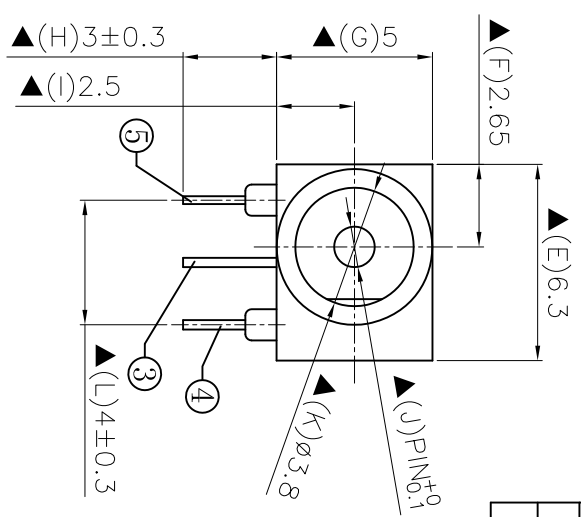
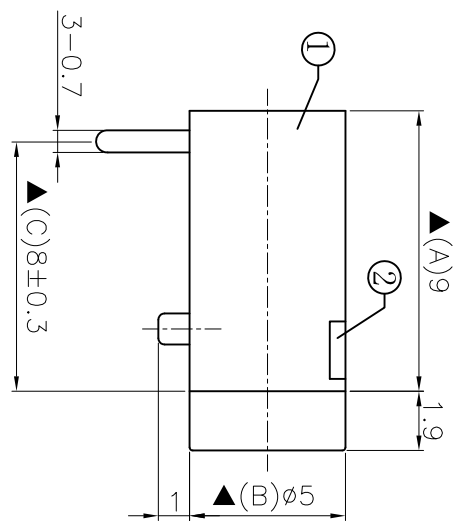
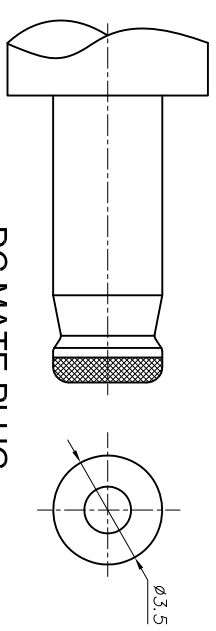
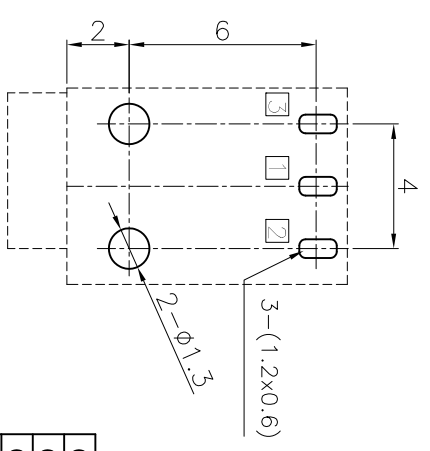
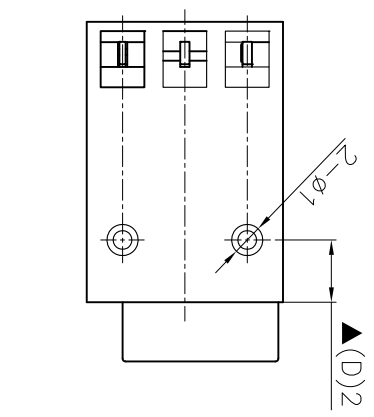


REV. LTR.	DESCRIPTION	SIGN	DATE



Ordering information:
 DC0003A-A
 (1) Series No.
 (2) Schematic option: A
 (3) Center pin diameter:
 C=Ø1.0, E=Ø1.3

Model No.	DC0003A-C	DC0003A-E
PIN	Ø1.0	Ø1.3



DC MATE PLUG

Specification:
 1.Rating : DC 20V 2A ;
 2.Contact resistance : ≤50mΩ ;
 After test: ≤100mΩ
 3. Insulation resistance : ≥100MΩ (500VDC) ;
 After test: ≥50MΩ
 4. Withstand voltage : 500VAC ;
 5. Insertion and extraction force : 3N~30N ;
 6. Life test : 5000cycles min ;
 7. Operation temperature range:-20℃~70℃
 8. Preservative temperature range:-40℃~85℃
 9. Sign" ▲ "is importance dimension °

RECOMMENDED P. C. B. LAYOUT
 UNSPECTIFIED TOLERANCE: ±0.05
 (COPPER-SIDED VIEW)

⑤	Shunt terminal	<input checked="" type="checkbox"/>	1	Brass t=0.3	DC00030-03	Silver plating
④	Tip spring	<input checked="" type="checkbox"/>	1	SUS301 t=0.2	DC00030-02	Silver plating
③	Center pin	<input type="checkbox"/>	1	Brass t=0.3	DC00030-99C/E	Silver plating
②	Cover	<input type="checkbox"/>	1	PA66/PBT	DC00030-S2	Black
①	Housing	<input type="checkbox"/>	1	PA66/PBT	DC0003A-S1	Black

UNIT:MM	TYPE:	MODEL NO.:	PAPER NO.:	SCALE	VER
	DC POWER JACK	DC0003A-A_	A4	FULL	2
DESIGNER BY:	Zhangxiuke	2011.03.15	承永實業有限公司		
CHECK BY:			BLUE SOURCES ELECTRONICS CO.,LTD.		
APPROVED BY:					